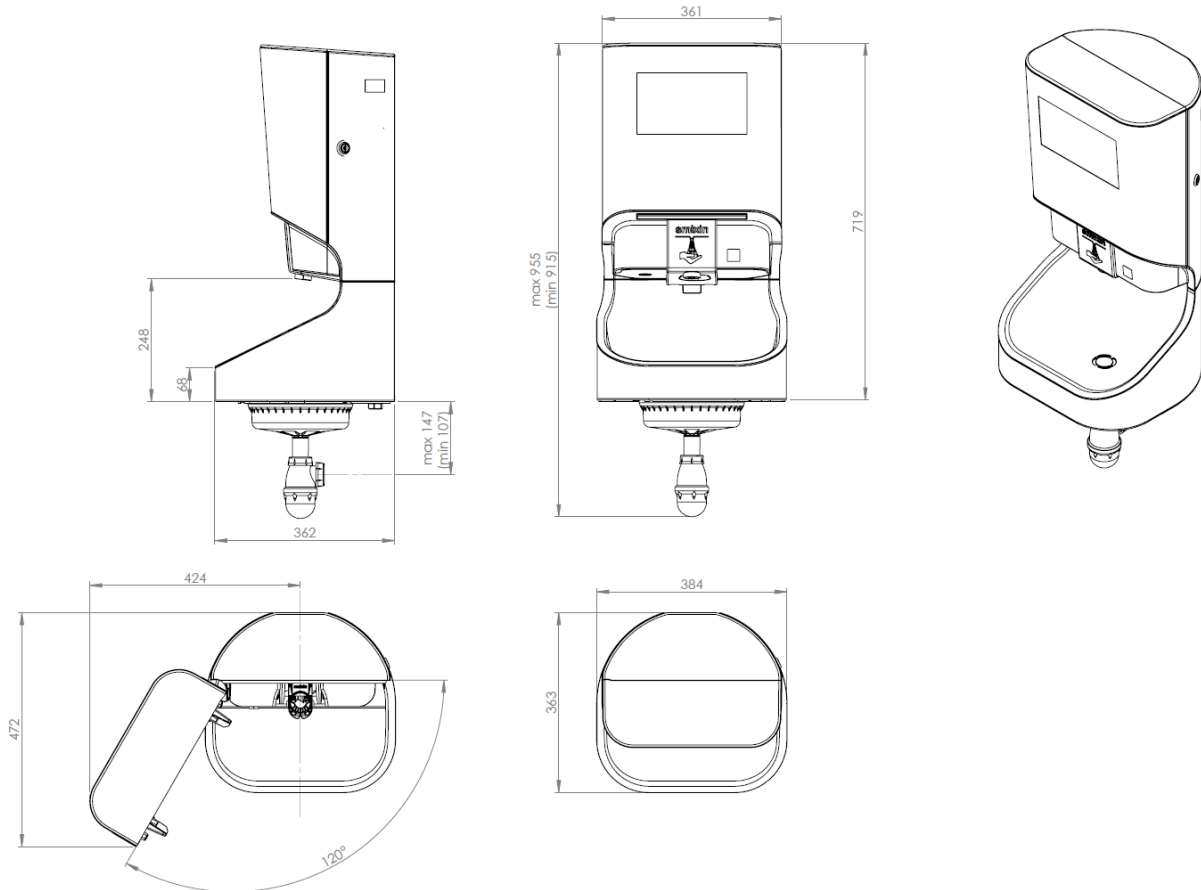


TECHNICAL SPECIFICATIONS COMBI COUNTERTOP HAND WASHING STATION



Dimensions and Weight	
Height	719 mm
Width	384 mm
Depth	363 mm
Interior width of sink	350 mm
Net weight	13 kg

Construction	
Casing	Powder-coated steel, gray
Sink	PC-ABS, white ceramic look

Water	
Connections	G1/2 Female
Water mains pressure	1.5 - 10 bar
Operating pressure	0.6 - 0.8 bar

Electrical	
Input voltage (to power supply)	100-240 V AC
Maximum power consumption	20 W
Standby power consumption	1.5 W - 6.0 W*
Average operating power c.	8.5 W - 13.0 W*
Heater	None
Operating temperature range	5°– 40°C
Certificates of the power supply	CE, cUL/UL, SAA, C-Tick

*depending on options

Operation			
Touch free activation	Infrared sensors		
Adjustable hand washing parameters	Quantity of soap	(Factory setting) 0.5 ml	0.2 – 5 ml
	Time of soap distribution	3 s	1 – 20 s
	Length of pause	3 s	0 – 20 s
	Rinsing time	12 s	1 – 40 s
	Settings and control	USB: with windows based computer Wi-Fi: through internet browsers* ² On-Device: through touch screen* ²	
Service alerts	Blue LEDs for consumables replacement		
Technical maintenance alerts	Red LEDs for system status and errors		

*² only with communication module

Soap Recharge Packs	
Volume of recharge packs and hand wash capacity	1.5 L – 3000 hand wash cycles Based on standard setting 0.5 ml soap per hand wash.
Material of Smart Mixing Unit	Polypropylene PP / Polyoxymethylen POM / Silicone

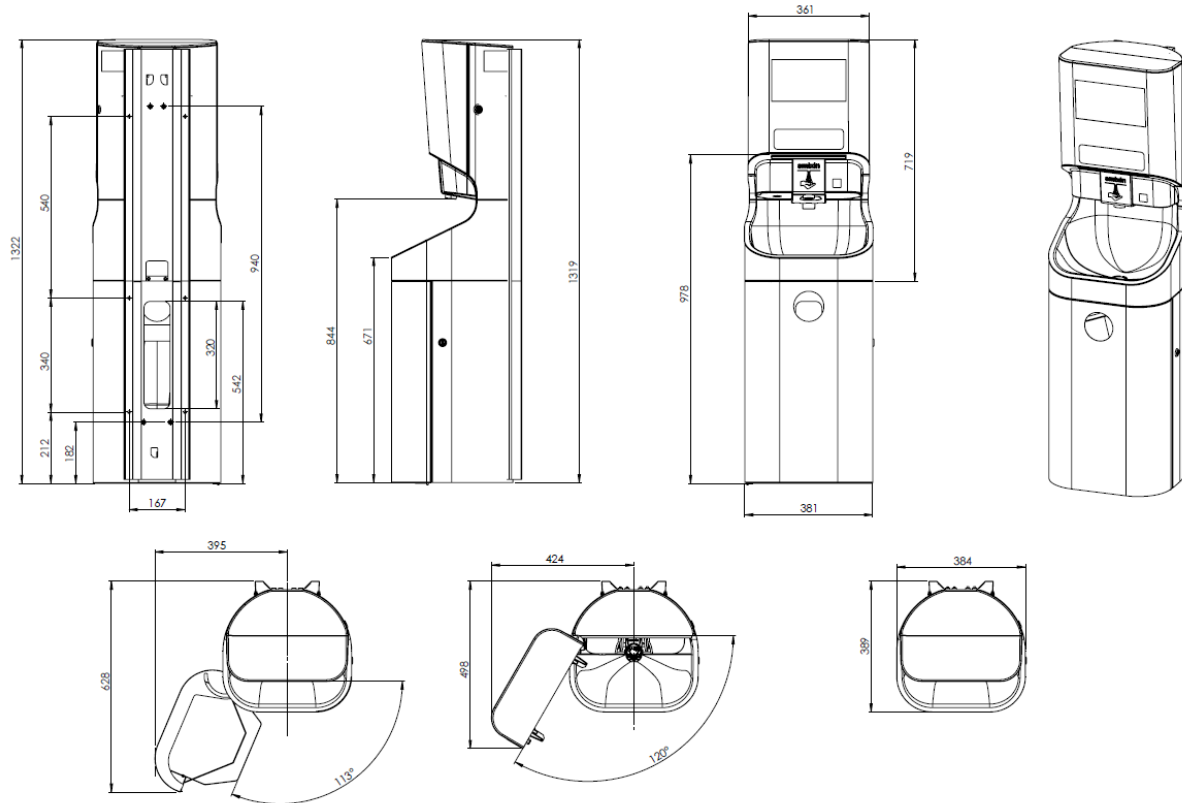
Option	
Manual paper dispenser	Folded towel maximum towel size 250 x 110 mm (capacity of approx. 360 paper towels) Recommended paper : Tork Xpress Soft Multifold 120289
Automatic paper dispenser	Roll of paper, maximum diameter 210 mm, width 21cm Recommended paper : Tork enMotion 471113
Communication module (touchscreen + Wi-Fi)	10 inches screen, resolution 1024x600 pixel

Packaging	
Dimension	800 x 400 x 407 mm
Weight	20 kg

Guarantee	
2 years against defect in material and workmanship	

Product specifications and prices are subject to change without prior notice.

TECHNICAL SPECIFICATIONS COMBI WALL-MOUNTED HAND WASHING STATION



Dimensions and Weight	
Height	1322 mm
Width	384 mm
Depth	389 mm
Interior width of sink	350 mm
Net weight	Hand Washing Station 23.0 kg Wall bracket 3.5 kg

Construction	
Casing	Powder-coated steel, gray
Sink	PC-ABS, white ceramic look

Water	
Connections	G1/2 Female
Water mains pressure	1.5 - 10 bar
Operating pressure	0.6 - 0.8 bar

Electrical	
Input voltage (to power supply)	100-240 V AC
Maximum power consumption	20 W
Standby power consumption	1.5 W - 6.0 W*
Average operating power c.	8.5 W - 13.0 W*
Heater	None
Operating temperature range	5°– 40°C
Certificates of the power supply	CE, cUL/UL, SAA, C-Tick

*depending on options

Operation			
Touch free activation	Infrared sensors		
Adjustable hand washing parameters	Quantity of soap	(Factory setting) 0.5 ml	0.2 – 5 ml
	Time of soap distribution	3 s	1 – 20 s
	Length of pause	3 s	0 – 20 s
	Rinsing time	12 s	1 – 40 s
	Settings and control	USB: with windows based computer Wi-Fi: through internet browsers* ² On-Device: through touch screen* ²	
Service alerts	Blue LEDs for consumables replacement		
Technical maintenance alerts	Red LEDs for system status and errors		

*² only with communication module

Soap Recharge Packs	
Volume of recharge packs and hand wash capacity	1.5 l – 3000 hand wash cycles Based on standard setting 0.5 ml soap per hand wash.
Material of Smart Mixing Unit	Polypropylene PP / Polyoxymethylen POM / Silicone

Option	
Manual paper dispenser	Folded towel maximum towel size 250 x 110 mm (capacity of approx. 360 paper towels) Recommended paper : Tork Xpress Soft Multifold 120289
Automatic paper dispenser	Roll of paper, maximum diameter 210 mm, width 21cm Recommended paper : Tork enMotion 471113
Communication module (touchscreen + Wi-Fi)	10 inches screen, resolution 1024x600 pixel

Packaging			
Dimension	3 boxes:		
	Countertop		800 x 400 x 407 mm
	WM Bottom		800 x 400 x 407 mm
Weight	WM Bracket		800 x 400 x 57 mm
	3 boxes:		36 kg:
	Countertop		20 kg
	WM Bottom		12 kg
	WM Bracket		4 kg

Guarantee	
2 years against defect in material and workmanship	

Product specifications and prices are subject to change without prior notice.