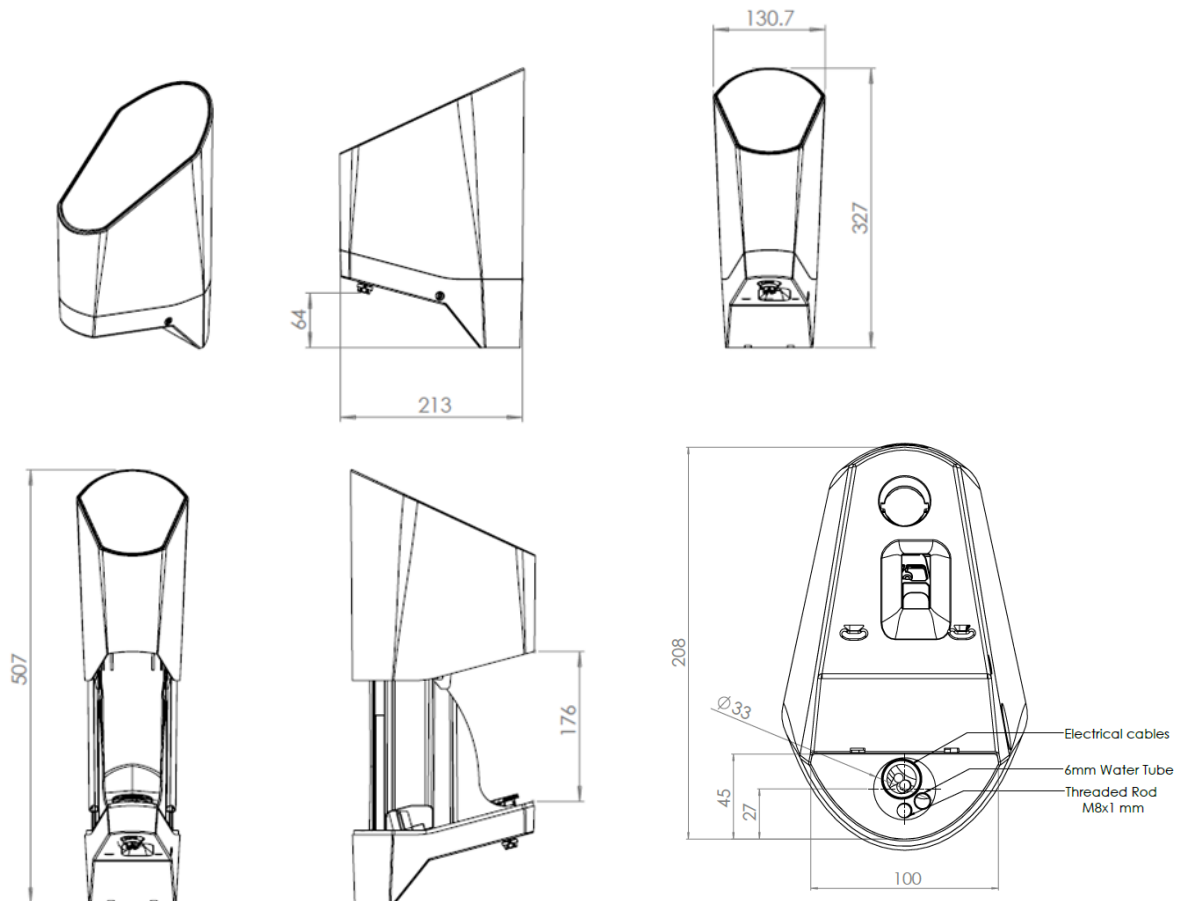


TECHNICAL SPECIFICATIONS COMPACT HAND WASHING SYSTEM



Dimensions and Weight

Height	327 mm
Width	131 mm
Depth	213 mm
Net weight	4 kg

Construction

Base	Zink Alloy molding
Cover	PC-ABS

Water

Connections	G1/2 Female
Water mains pressure	1.5 - 10 bar
Operating pressure	0.6 - 0.8 bar

Environmental Conditions	
Ambient temperature	5 – 40 °C
Relative air humidity	< 80 %

Electrical	
Input voltage (to power supply)	100-240 V AC
Maximum power consumption	20 W
Standby power consumption	1.5 W

Operation			
Touch free activation	Infrared sensors		
Adjustable hand washing parameters	Quantity of soap	(Factory setting) 0.5 ml	(min – max) 0.2 – 5 ml
	Time of soap distribution	3 s	1 – 20 s
	Length of pause	3 s	0 – 20 s
	Rinsing time	12 s	1 – 40 s
Settings and control	Local: Menu accessible by Wlan using web browsers Remote: through SRCM* ¹		
Service alerts	Blue LEDs for consumables replacement		
Technical maintenance alerts	Red LEDs for system status and errors		

*¹ Smixin Remote Central Management

Soap Recharge Packs	
Volume of recharge packs and hand wash capacity	1.25 L – 2500 hand wash cycles Based on standard setting 0.5 ml soap per hand wash.
Material of Smart Mixing Unit	Polypropylene PP / Polyoxymethylene POM / Silicone

Option	
SRCM - Smixin Remote Central Management	SRCM is a software solution that helps to efficiently manage the installed Compact units from a central point. The corresponding web-application can be used on PCs and on mobile devices.
Water-Only tap	For water only, option to integrate washroom offer (under development)

Packaging	
Dimension	575 x 375 x 193 mm
Weight	9,5 kg

Guarantee	
2 years against defect in material and workmanship	

Product specifications and prices are subject to change without prior notice.