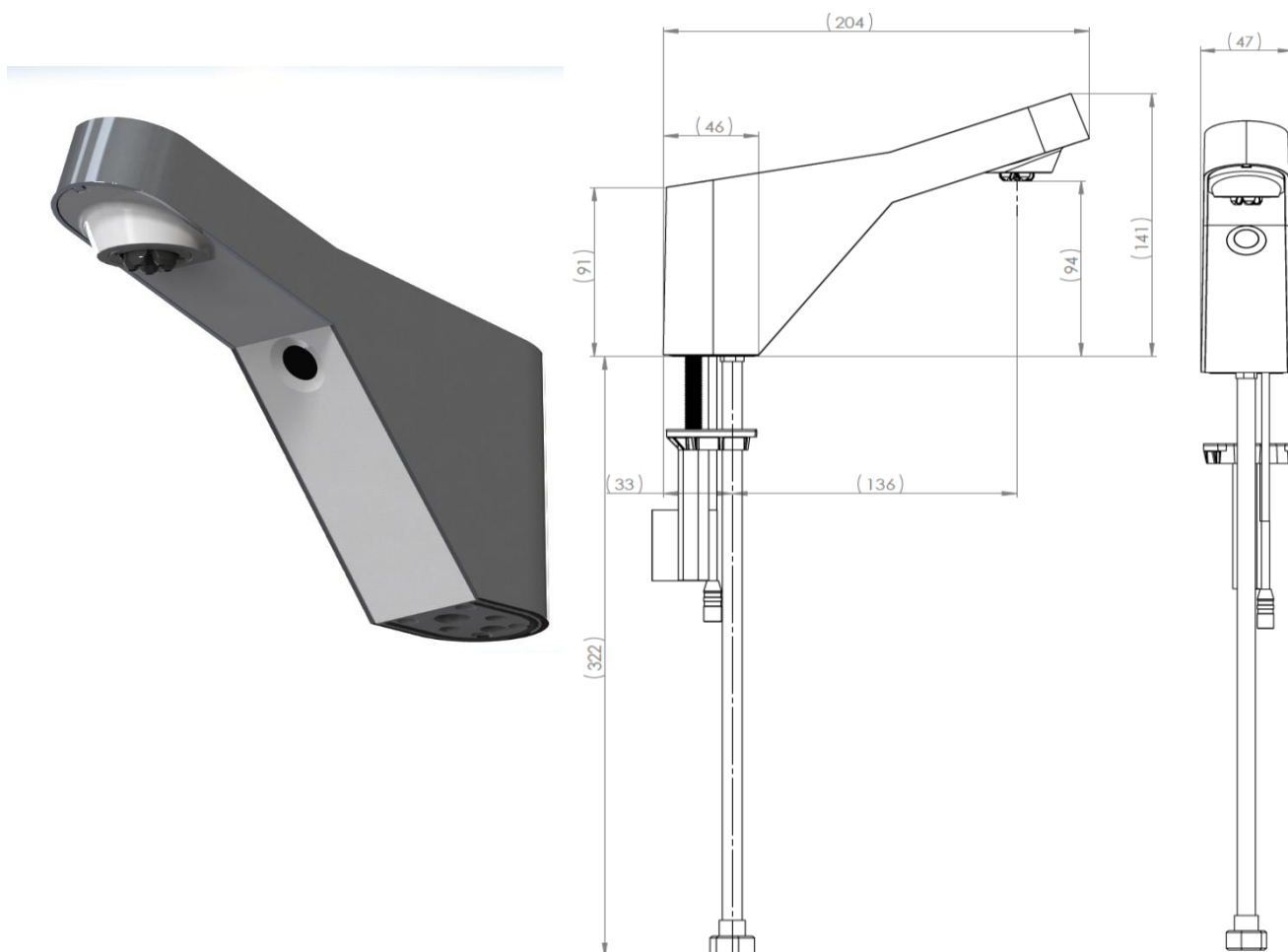


TECHNICAL SPECIFICATIONS

COMFORT SENSOR TAP

Smixin Comfort New generation of sensor tap for better hygiene and water saving with 0.7 l/min flow rate.



Electronic	
Power supply	Sector (Battery on request)
Mains voltage/ Input frequency	100-240 V AC/ 50-60Hz
Power failure	Tap shuts off automatically and will re-activated when power supply returns

Performance	
Activation	Infrared detection without contact
Maximum flow time before automatic shutdown	30 s
Operating ambient temperature	0-60 °C
Stockage temperature	0-60 °C (75°C for no more than 30 minutes)

Dimensions	
Height	142 mm
Width	50 mm

Depth	205 mm
Weight	1 kg

Materials

Body	Zinc Nickel-Chrome
Bottom cover	PC-ABS (White)

Hydraulic Power

Water type	Cold water (<25°C)
Connection	G3/8 female
Working pressure	200 - 800 kPa
Flow rate	0.7 l/min

Warranty

2 years subject to manufacturer's conditions.	
---	--

Packaging

Dimensions	250 x 250 x 110 mm
Weight	1.5 kg

Product specifications and prices are subject to change without prior notice.